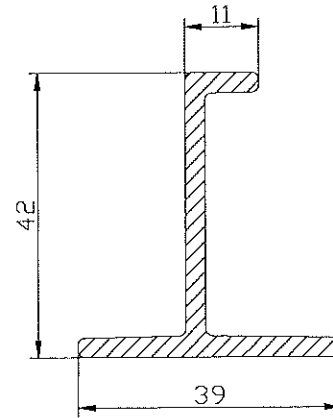
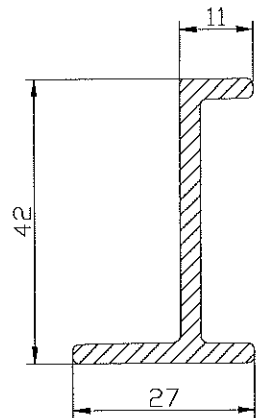
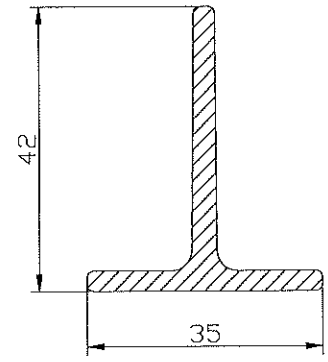
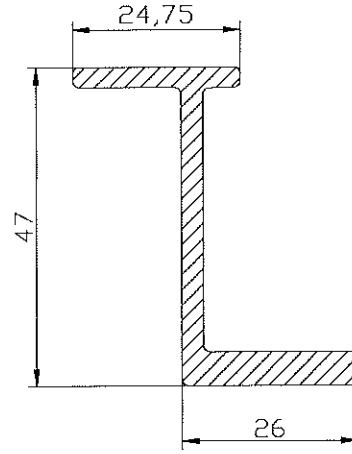
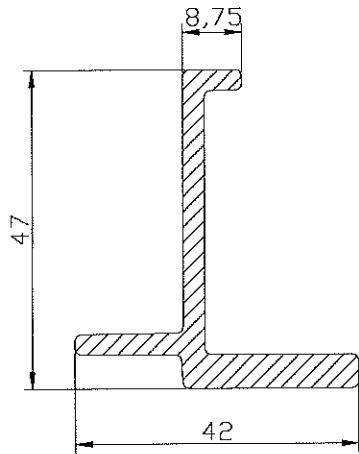
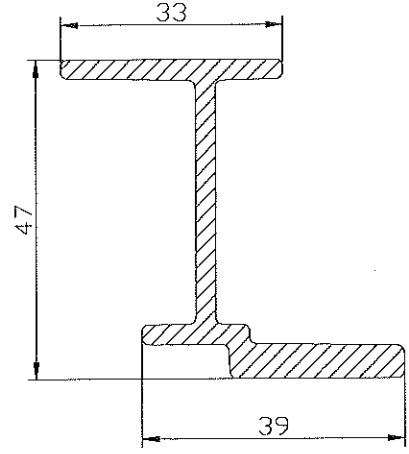
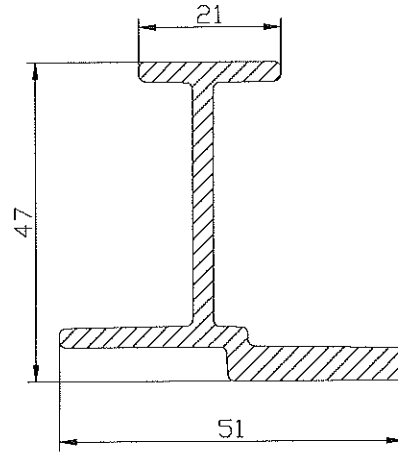
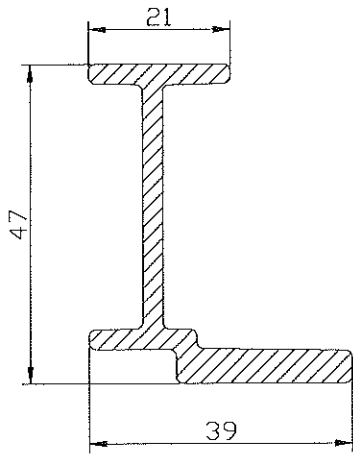


Systemübersicht

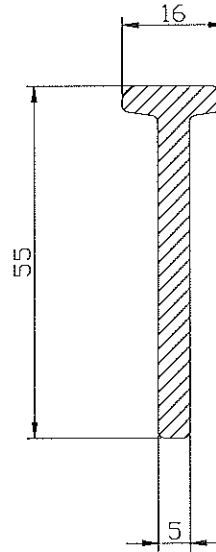
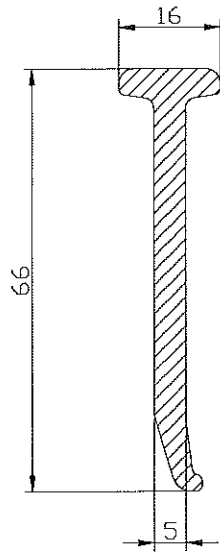
Synopsis of system

Tableau du système

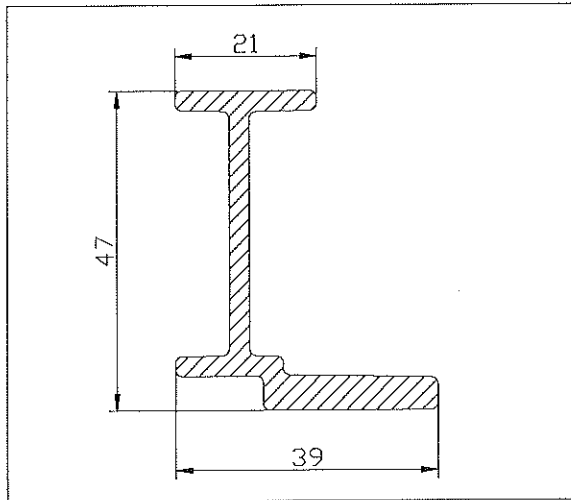


STEEL\_classic line

MW40

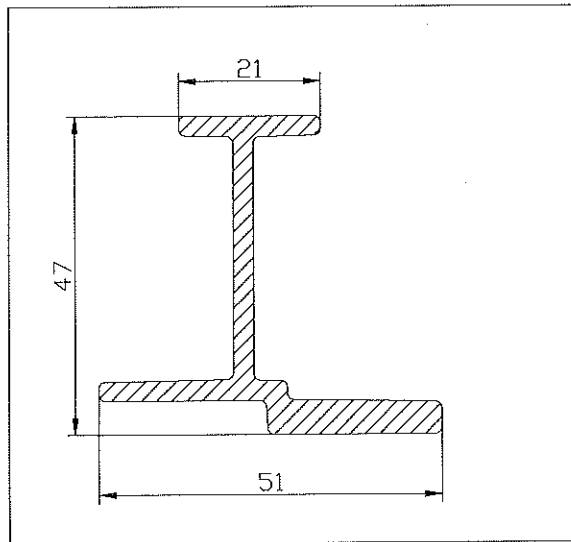


10601



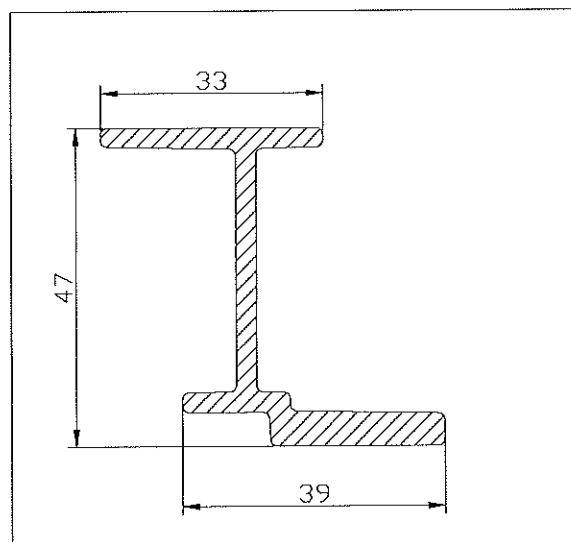
$J_x = 2.15 \text{ cm}^4$   
 $J_y = 11.5 \text{ cm}^4$   
 $W = 2.75 \text{ kg/m}$

10657



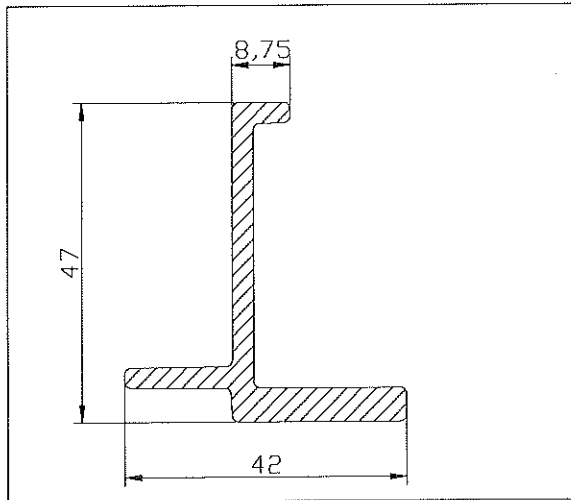
$J_x = 3.96 \text{ cm}^4$   
 $J_y = 11.5 \text{ cm}^4$   
 $W = 3.05 \text{ kg/m}$

10590



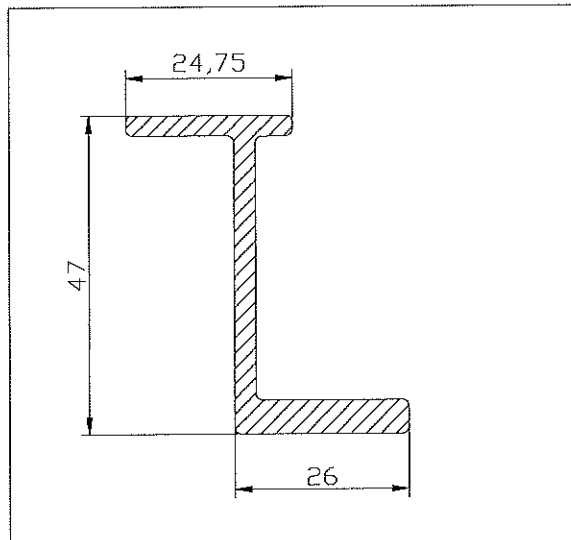
$J_x = 2.38 \text{ cm}^4$   
 $J_y = 15.0 \text{ cm}^4$   
 $W = 3.05 \text{ kg/m}$

10598



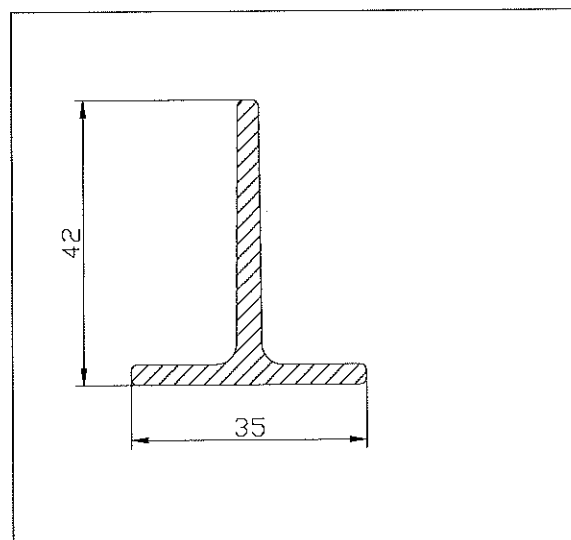
$J_x = 2.34 \text{ cm}^4$   
 $J_y = 7.82 \text{ cm}^4$   
 $W = 2.60 \text{ kg/m}$

10595



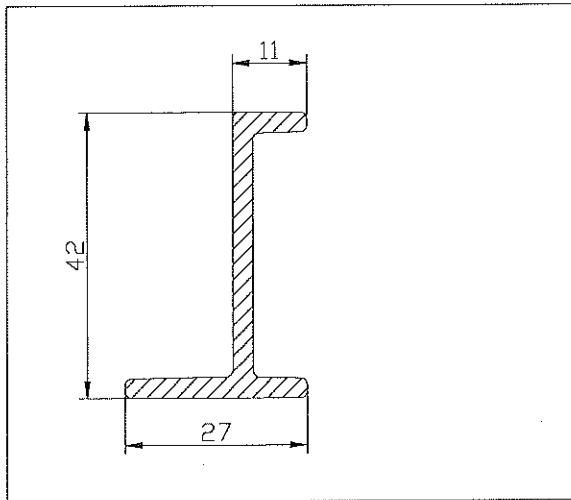
$J_x = 1.22 \text{ cm}^4$   
 $J_y = 12.0 \text{ cm}^4$   
 $W = 2.60 \text{ kg/m}$

10602



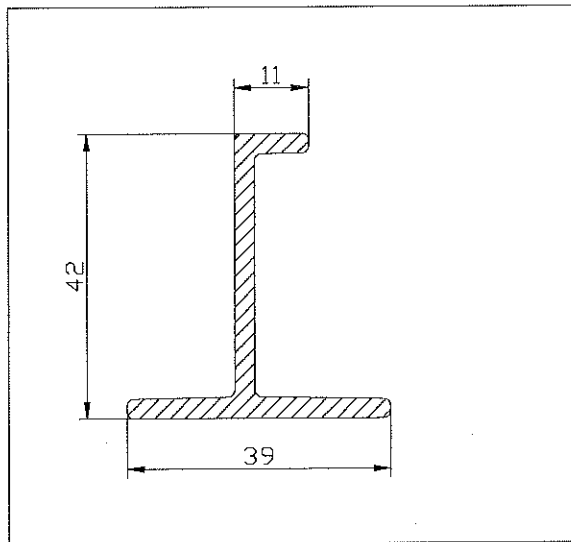
$J_x = 1.06 \text{ cm}^4$   
 $J_y = 4.15 \text{ cm}^4$   
 $W = 1.95 \text{ kg/m}$

10589



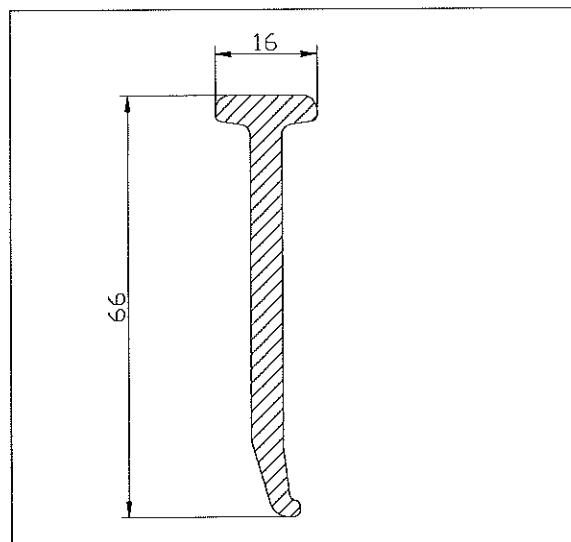
$J_x = 0.52 \text{ cm}^4$   
 $J_y = 5.18 \text{ cm}^4$   
 $W = 1.75 \text{ kg/m}$

10596



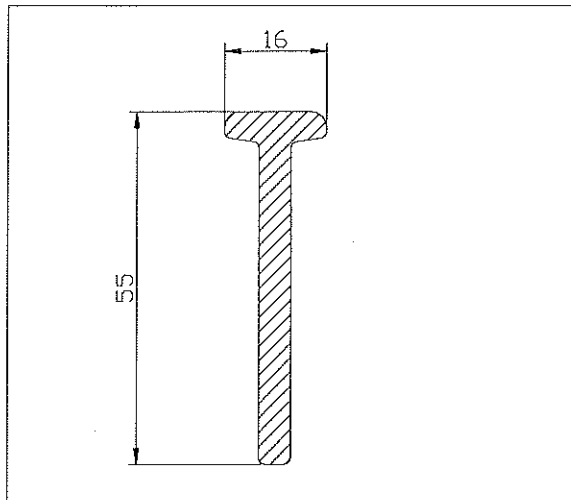
$J_x = 1.48 \text{ cm}^4$   
 $J_y = 5.77 \text{ cm}^4$   
 $W = 2.05 \text{ kg/m}$

10638



$J_x = 0.19 \text{ cm}^4$   
 $J_y = 14.5 \text{ cm}^4$   
 $W = 2.90 \text{ kg/m}$

10639



$J_x = 0.18 \text{ cm}^4$   
 $J_y = 9.38 \text{ cm}^4$   
 $W = 2.55 \text{ kg/m}$

